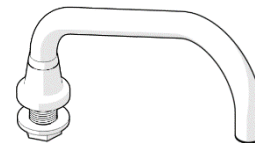


CliniLever® CP-BS Hospital Upswept 5/8 Hob Swivel Outlet 200 Reach x 80 High Laminar

PRODUCT CODES

- 85259



SPECIFICATIONS

- The Clinilever® product range is primarily used for hand washing applications in medical facilities, hospitals, aged care facilities, schools and in-home care.
- Clinilever® products provide state of the art features to comply with the latest healthcare guidelines.
- Robust construction for long life.
- Low maintenance.
- Laminar flow.
- Finished in bright chrome plate for easy cleaning and durability.

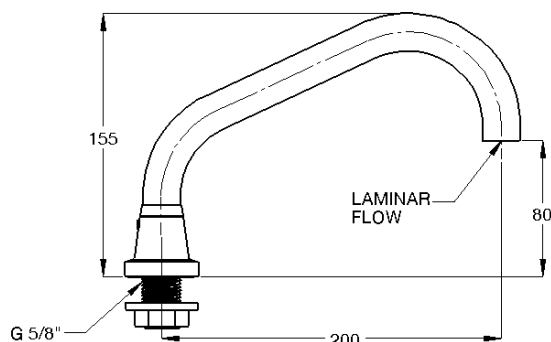
IMPORTANT: All Clinilever® healthcare taps are tested in accordance with AS/NZS 3718 and leave our premises in good working order.

TECHNICAL DATA

Inlet	5/8" BSP – Male	
Outlet	Laminar Flow Aerator	
Headwork	N/A	
Working Pressure Range (kPa)	Min	50
	Max	500
Working Temperature Range (°C)	Min	5
	Max	80
Nominal Flow Rate (LPM)	5.12	
Finish	Chrome	

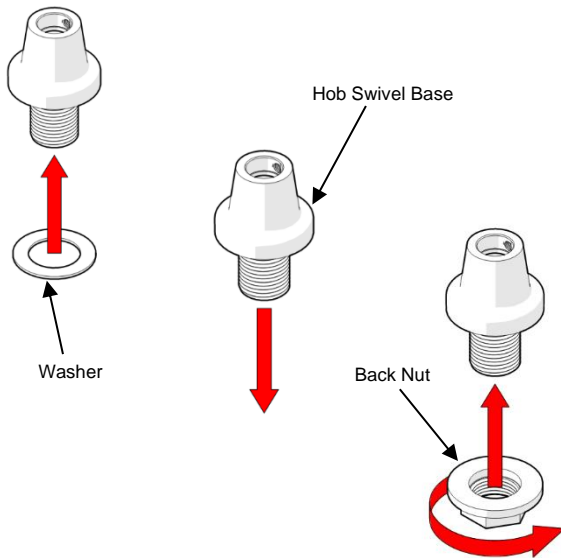
NOTE: Galvin Engineering continually strive to improve their products. Specifications may change without notice.

DIMENSIONS



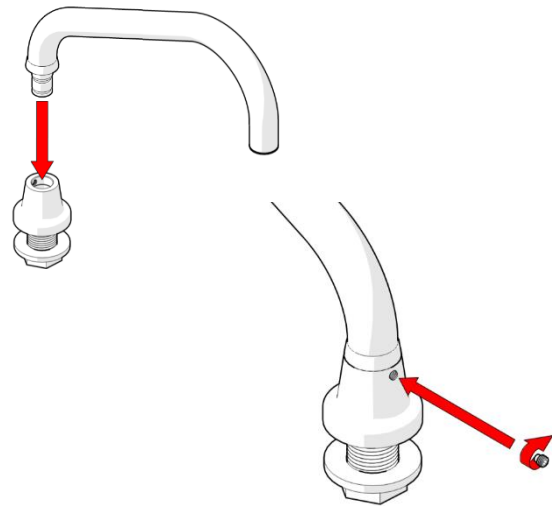
INSTALLATION

INSTALLATION COMPLIANCE: Galvin Engineering products must be installed in accordance with these installation instructions and in accordance with AS/NZS 3500, the PCA and your local regulatory requirements. Water and/or electrical supply conditions must also comply to the applicable national and/or state standards. Failing to comply with these provisions shall void the product warranty and may affect the performance of the product.



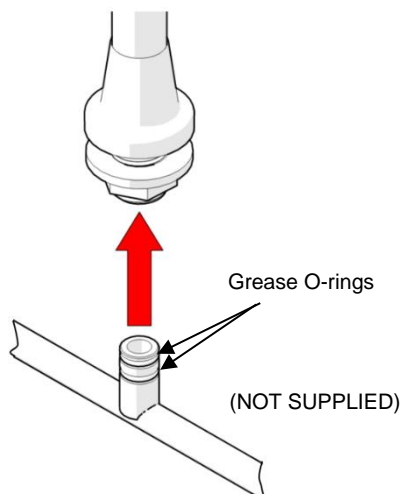
1. Fit Base

- Fit the hob swivel base into the bench. Ensure that the hole for the grub screw is located at the back.
- Ensure the sealing washer is placed underneath the base body.
- Secure the base underneath with supplied flanged back nut



2. Secure Spout

- Insert the spout on the base in the desired position taking into consideration the locking portion for the grub screw.
- Secure position using the grub screw in the hole at the back of the base.



3. Insert Breach Outlet

- Grease o-rings of the breach outlet before inserting to the spout.
- Carefully insert the copper breach outlet into the spout, to avoid damage to the tee o-rings. After full unit is assembled, test for correct operation.

TROUBLESHOOTING

PROBLEM	CAUSE	RECTIFICATION
Inconsistent flow	Blocked aerator Blocked top assembly	Remove aerator and clean Remove top assembly and clean
Water is not flowing from the tap	Water is turned off	Turn on the water
Continuous flow	Top assembly loose or internally obstructed or damaged	Remove top assembly, clean with water and replace if required

WARRANTY

The warranty set forth herein is given expressly and is the only warranty given by the Galvin Engineering Pty Ltd. With respect to the product, Galvin Engineering Pty Ltd makes no other warranties, express or implied. Galvin Engineering Pty. Ltd. hereby specifically disclaims all other warranties, express or implied, including but not limited to the implied warranties of merchantability and fitness for a particular purpose.

Galvin Engineering Pty Ltd products are covered under our manufacturer’s warranty available for download from www.galvinengineering.com.au Galvin Engineering Pty Ltd expressly warrants that the product is free from operational defects in workmanship and materials for the warranty period as shown on the schedule in the manufacturer’s warranty. During the warranty period, Galvin Engineering will replace or repair any defective products manufactured by Galvin Engineering without charge, so long as the terms of the Manufacturer’s warranty are complied with.

The remedy described in the first paragraph of this warranty shall constitute the sole and exclusive remedy for breach of warranty, and Galvin Engineering Pty Ltd shall not be responsible for any incidental, special or consequential damages, including without limitation, lost profits or the cost of repairing or replacing other property which is damaged if this product does not work properly, other costs resulting from labour charges, delays, vandalism, negligence, fouling caused by foreign material, damage from adverse water conditions, chemical, electrical or any other circumstances over which Galvin Engineering has no control. This warranty shall be invalidated by any abuse, misuse, misapplication, improper installation or improper maintenance or alteration of the product.

Within Australia: 1300 514 074 Outside Australia: P: +61 (0)8 9338 2344

F: +61 (0)8 9338 2340

sales@galvinengineering.com.au

www.galvinengineering.com.au

ABN: 78 008 719 382

PERTH | SYDNEY | MELBOURNE | BRISBANE | ADELAIDE



Environment
ISO 14001
SAI GLOBAL



Quality
ISO 9001
SAI GLOBAL